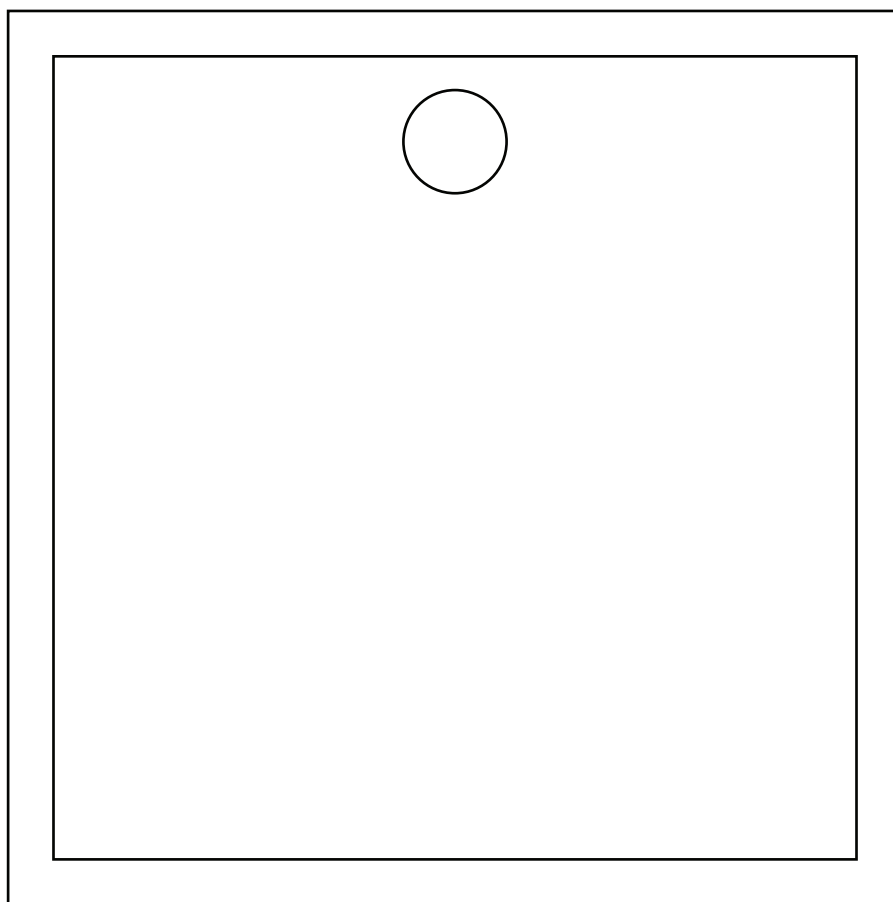
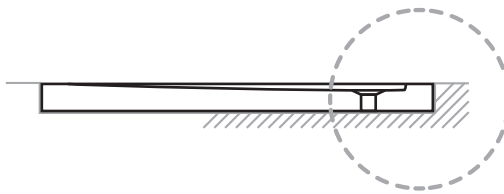


OLTENS

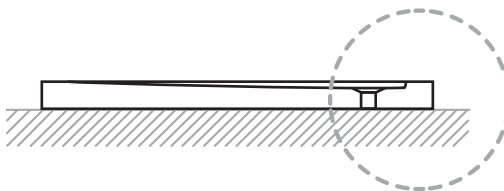


Bergytan

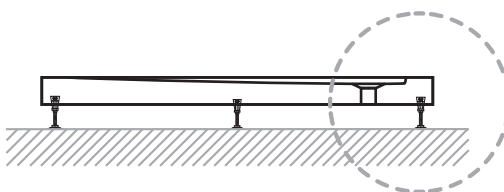
A Page 2



B Page 4

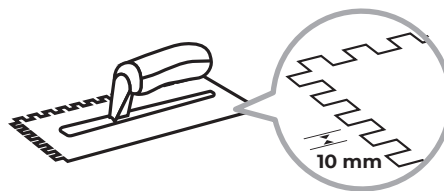


C Page 7



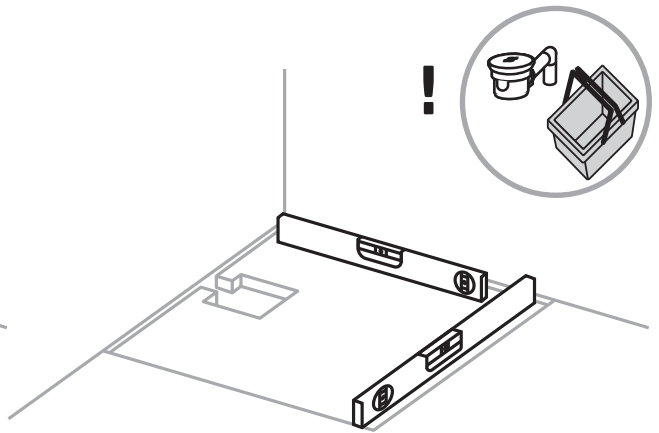
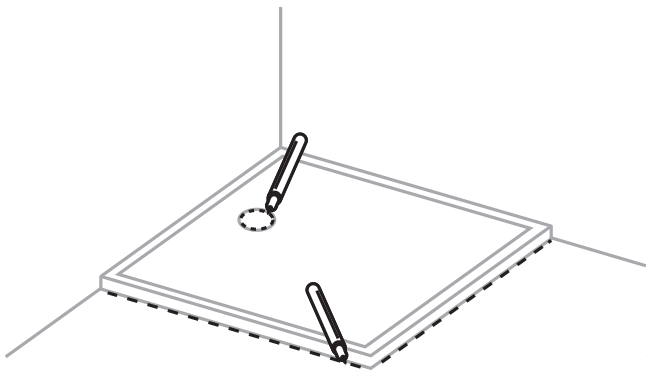
A

2. Prepare

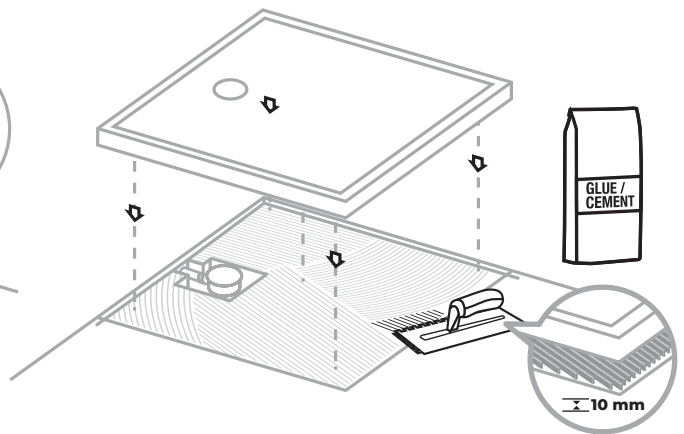
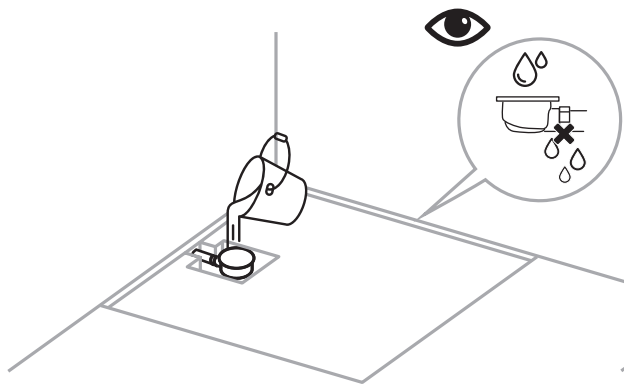


! - product not included in the set

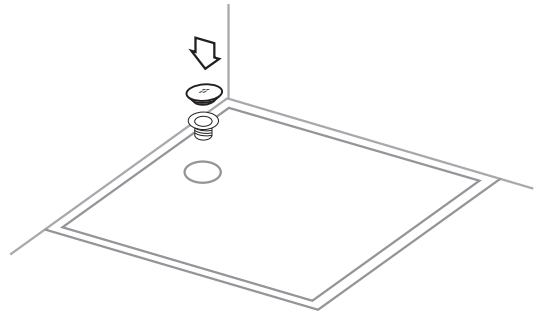
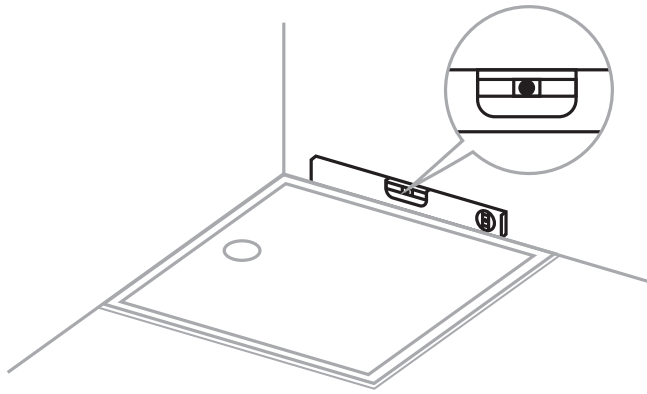
A



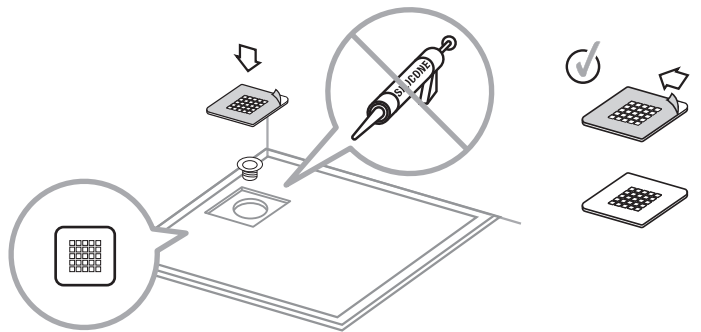
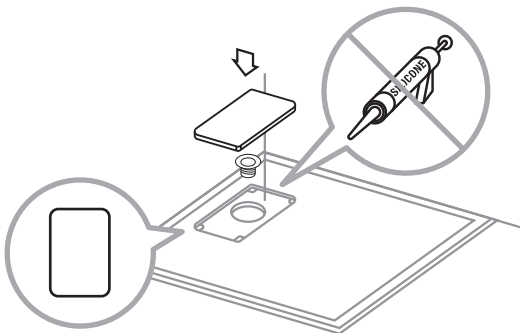
A



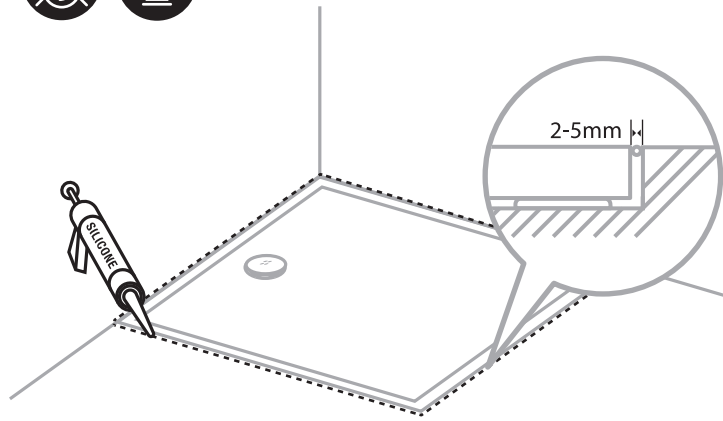
A



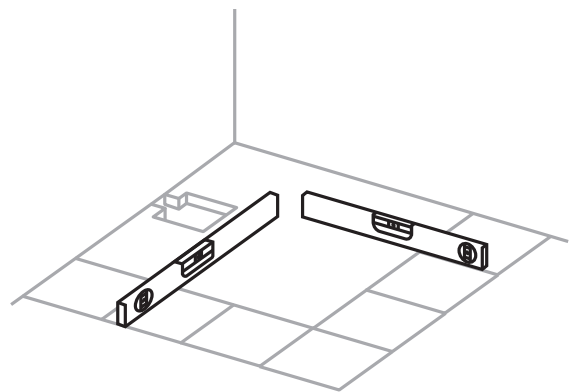
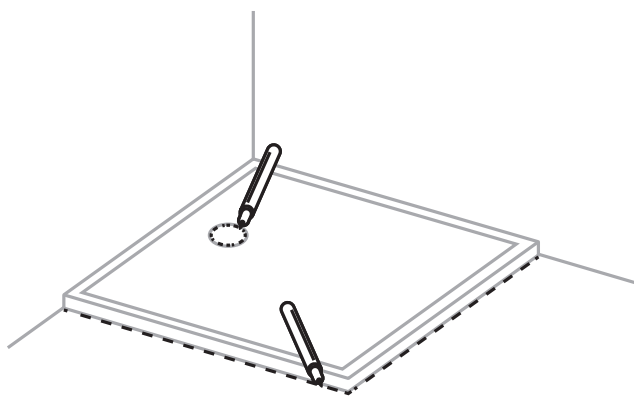
A



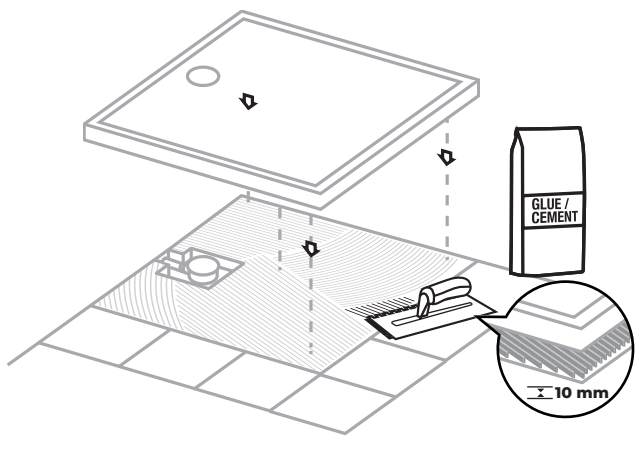
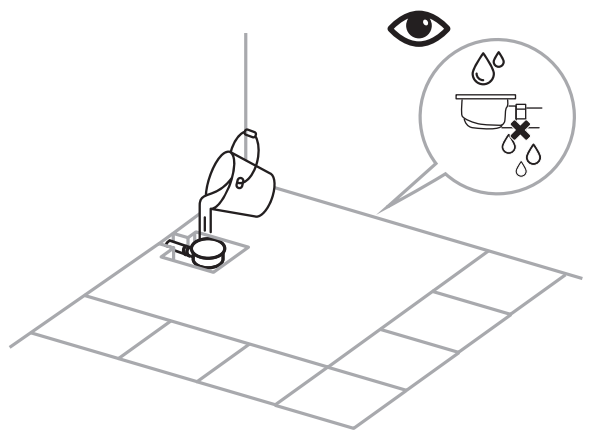
A



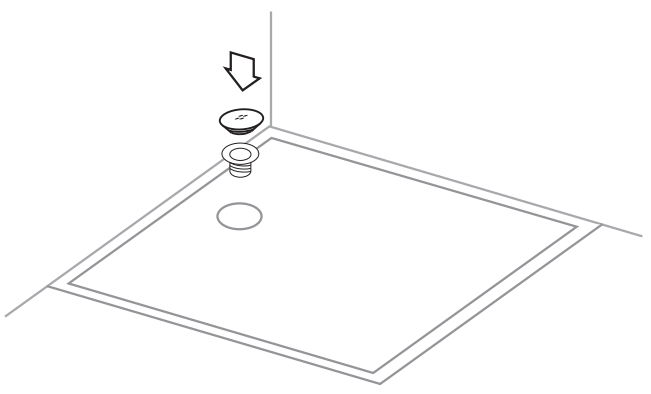
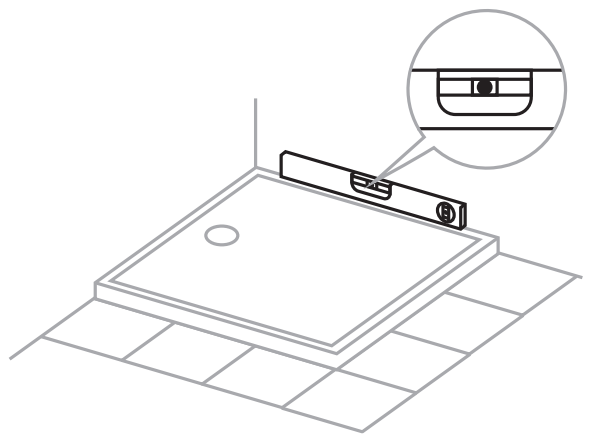
B



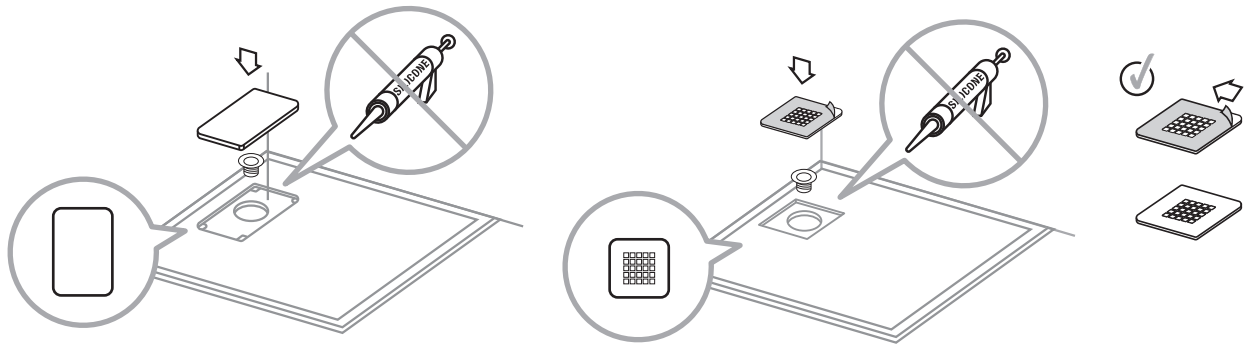
B



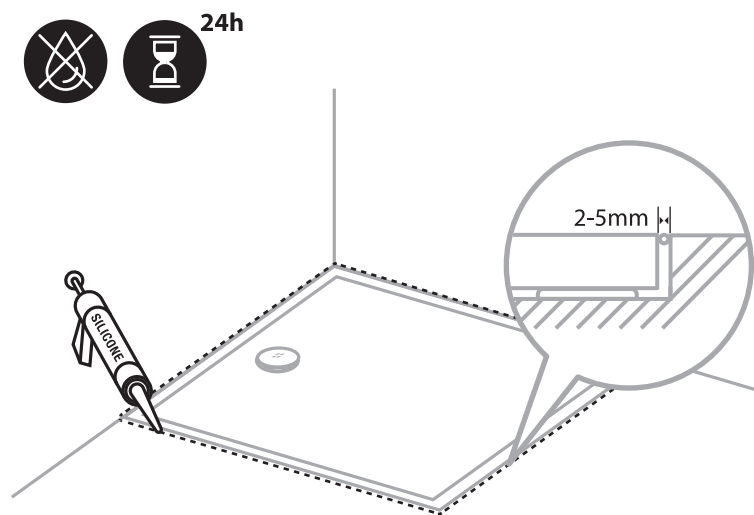
B



B



B



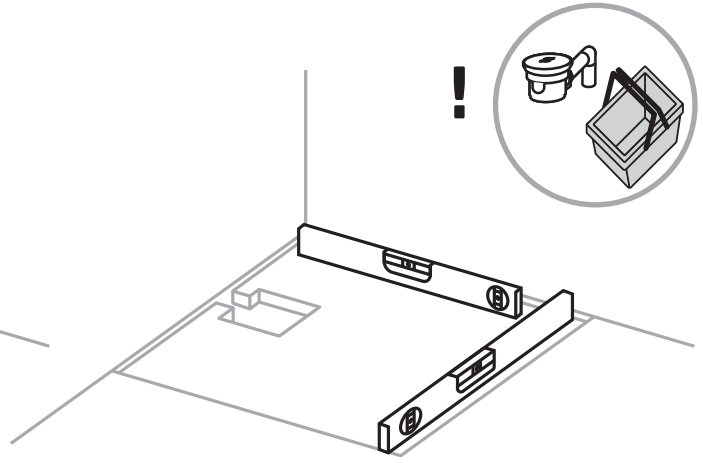
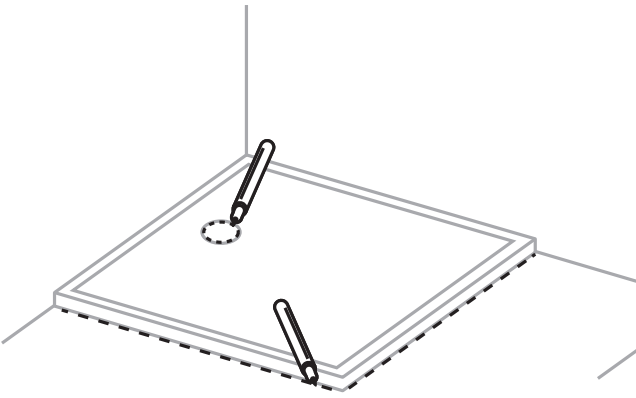
C



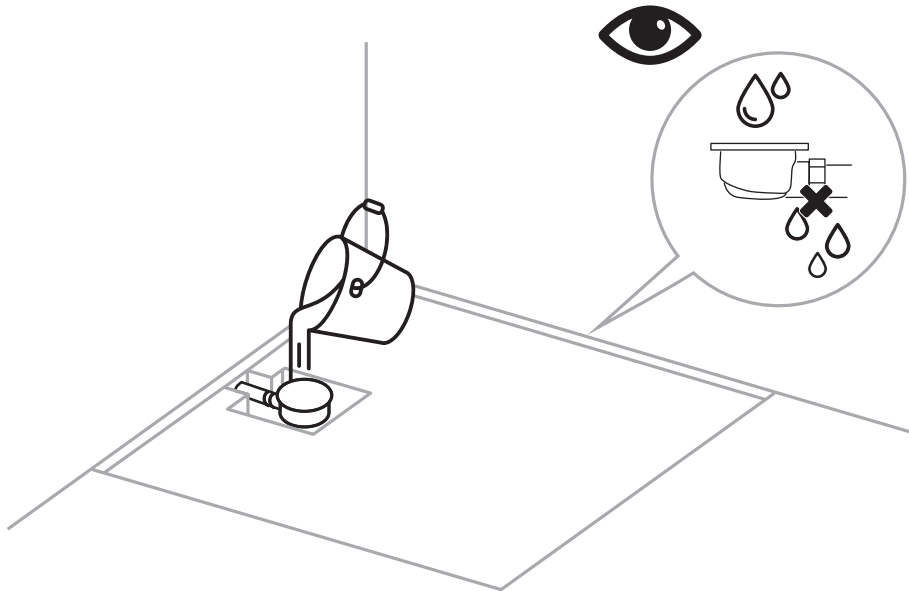
Fitting of the raised shower tray should be done in accordance with the following instructions.

- 1/** Before attaching the legs, the position of attaching the legs to the shower tray should be identified first in accordance with the following instructions.
- 2/** Before you start, wipe the shower tray surfaces where the legs will be attached and the leg surface to be adhered with the wipes included in the set. When the surfaces are cleaned, 3M VHB tape can be applied to the legs.
- 3/** Legs should be attached centrally on the protrusions visible on the bottom of the shower tray. In some models the surface of shower tray protrusions may be smaller than the leg surface to be adhered. This has no impact on the durability of the connection.
- 4/** Adhesion should be done in dry and clean conditions. If after cleaning the surface to be adhered is covered with dust or dirt, it should be cleaned again. Only a properly prepared surface will guarantee a durable connection.
- 5/** Once the adhesion is finished, place the shower tray on the legs and wait 30 minutes before continuing.
- 6/** When the legs are attached, do not place the shower tray “on the side”, putting any load on the legs other than that which would result from correct installation.
- 7/** After attaching the legs, do not move the shower tray on any longer distance without lifting it. An exception is moving it closer to the wall during installation.
- 8/** This guide covers the installation of a shower tray on a dedicated leg kit on a hardened floor (on tiled, concrete floor etc.). Due to many factors that may affect the correct functioning of the product, such as various materials, floors, different working conditions etc., the installer is fully responsible for the installation of the product. Any damage caused during the installation and use resulting from different installation of the product than shown in this guide cannot be subject to complaint.

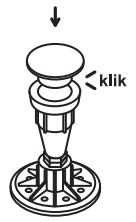
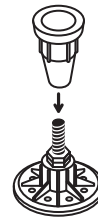
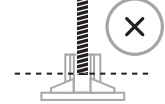
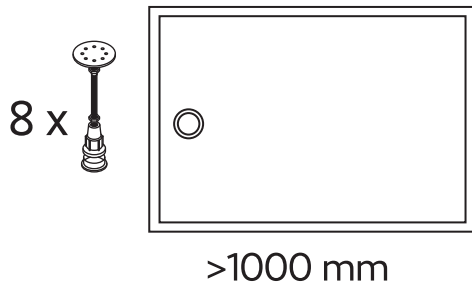
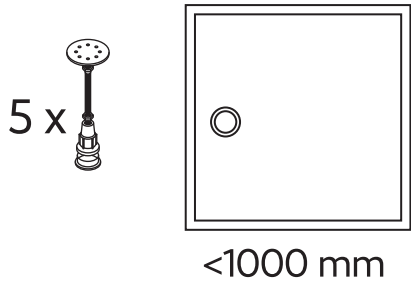
C



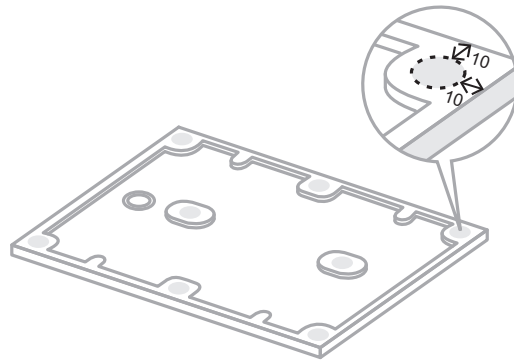
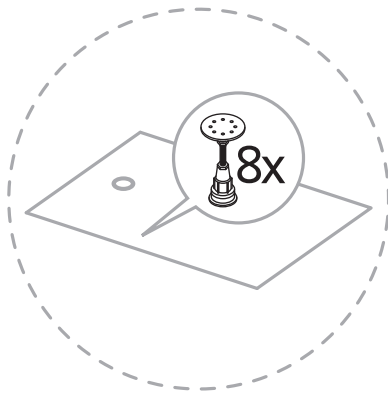
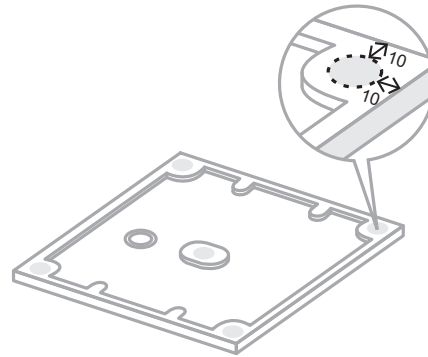
C



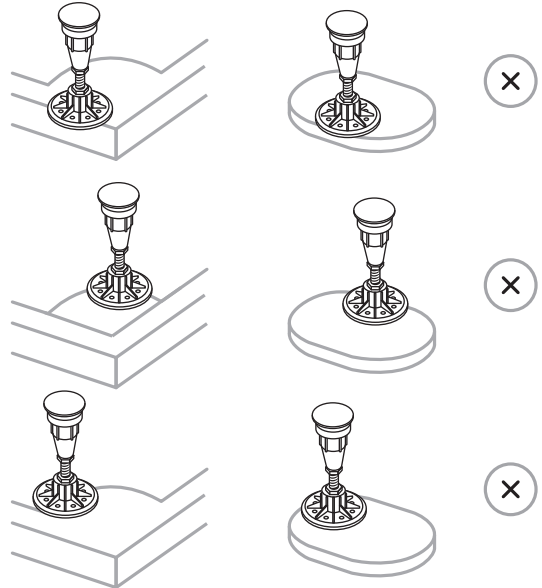
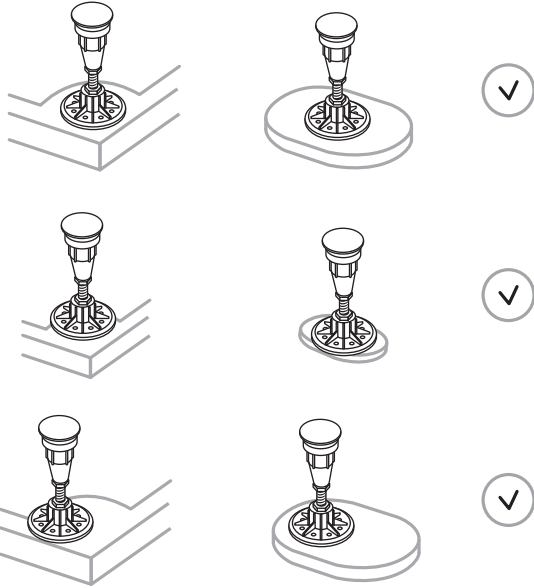
(c)



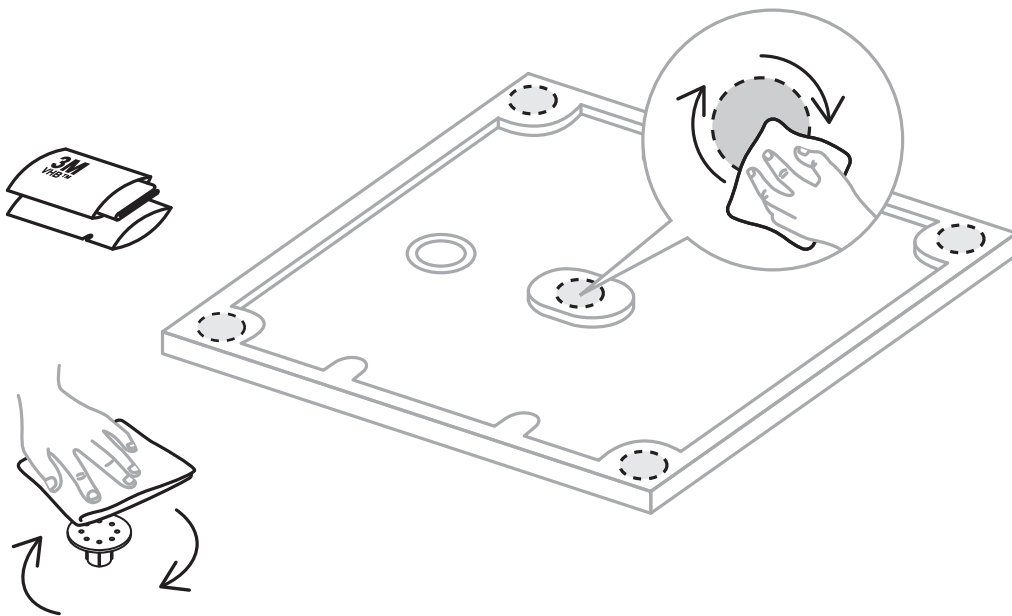
(c)



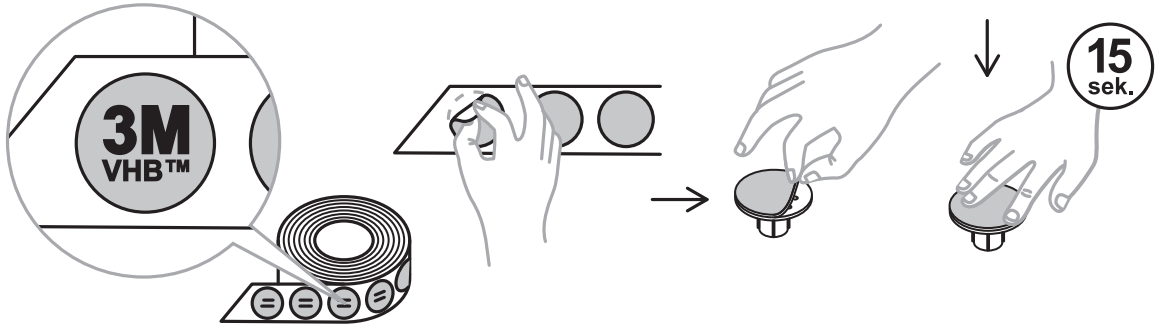
C



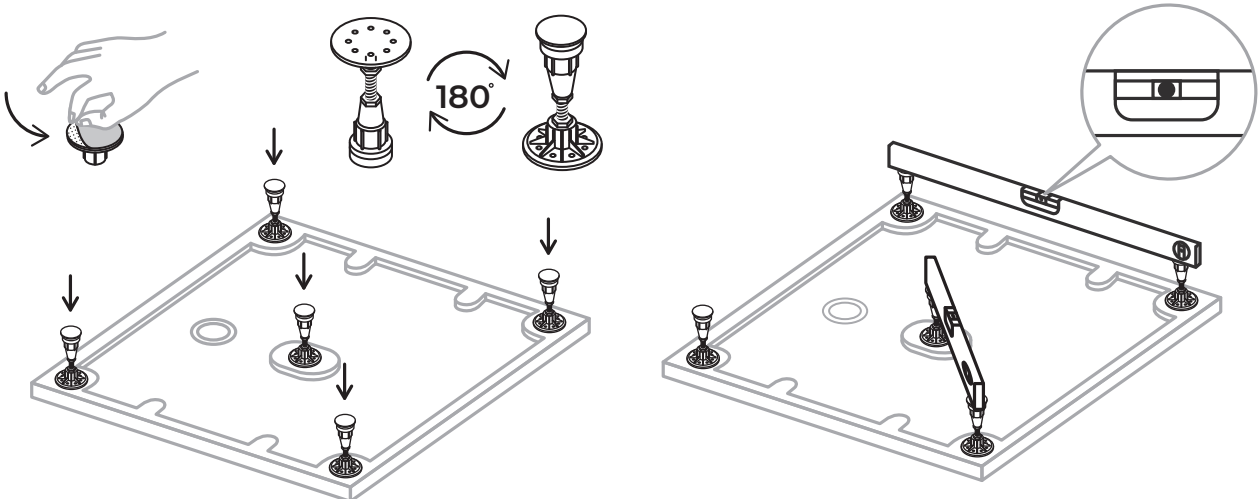
C



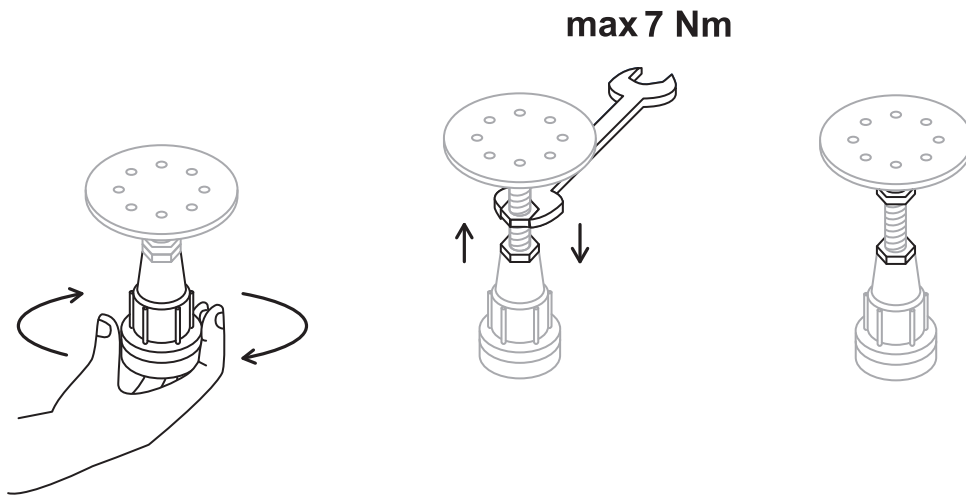
C



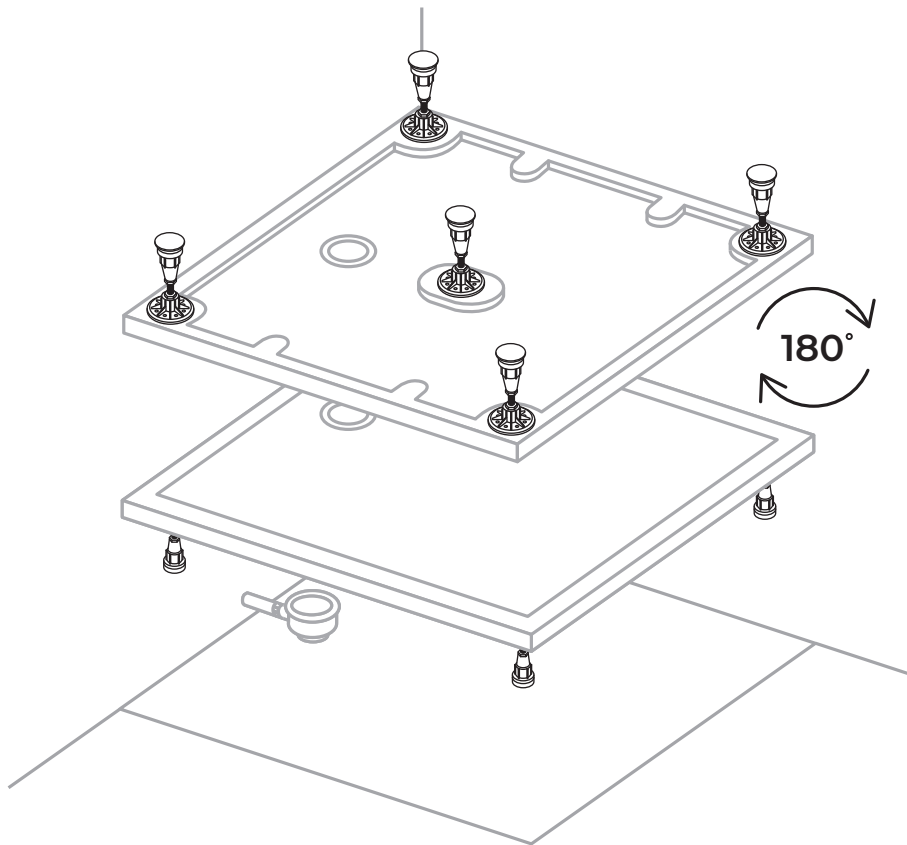
C



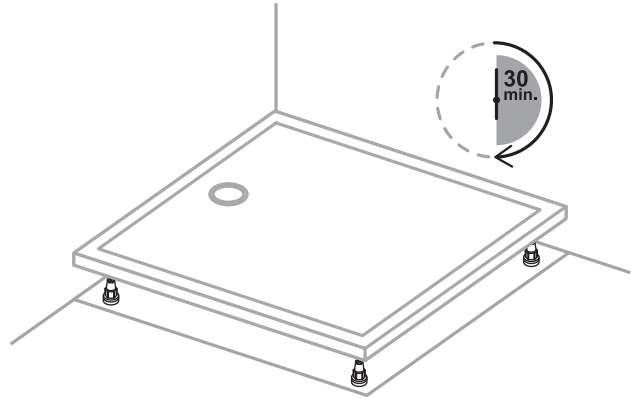
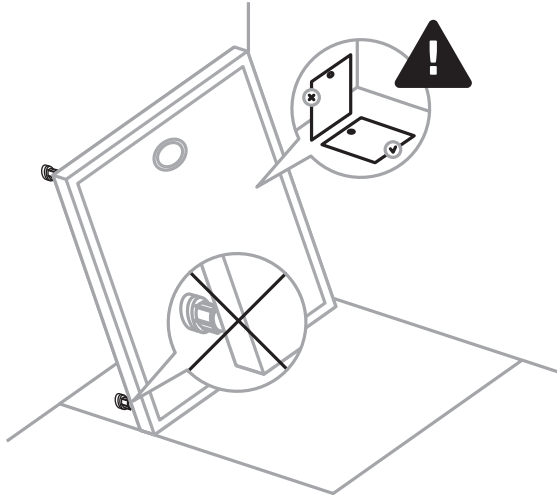
C



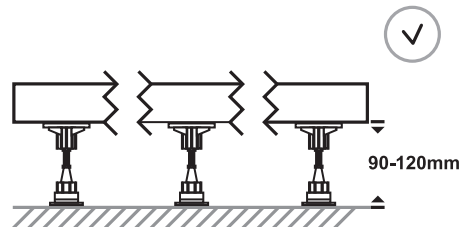
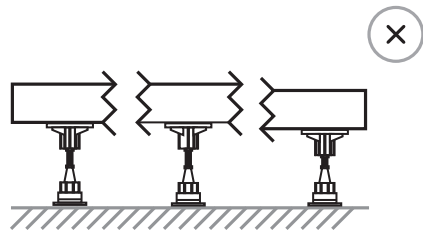
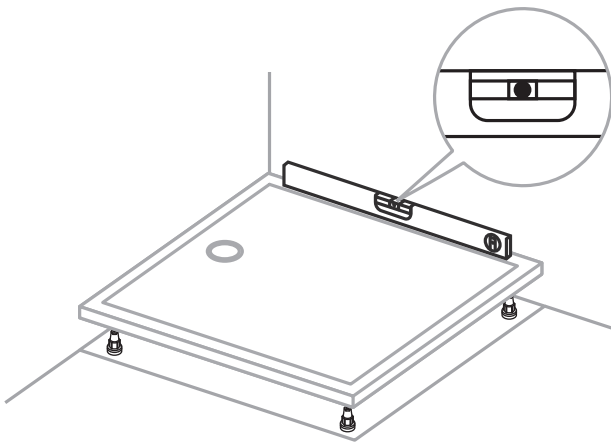
C



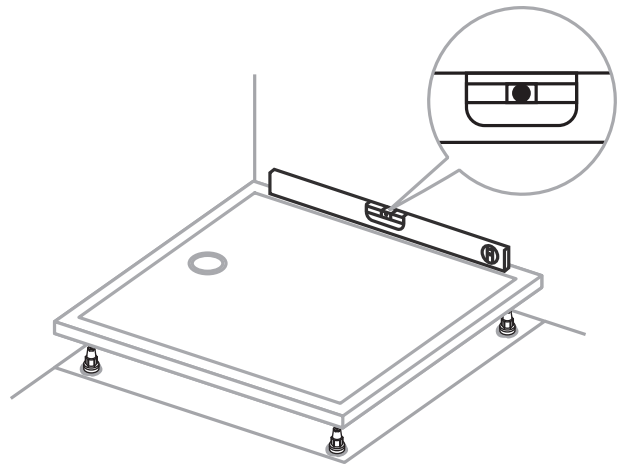
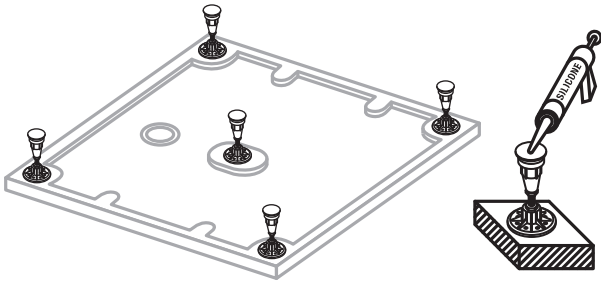
C



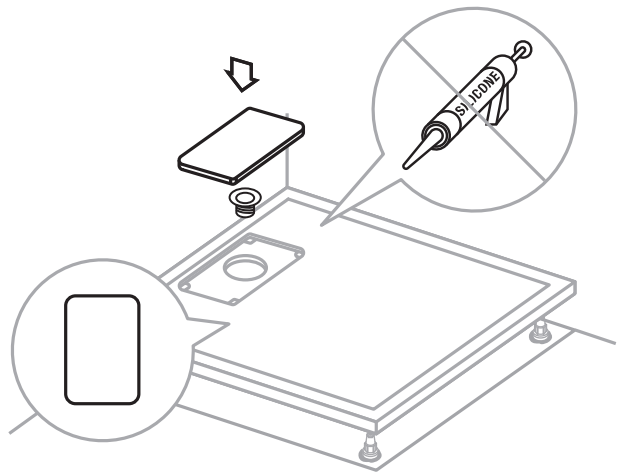
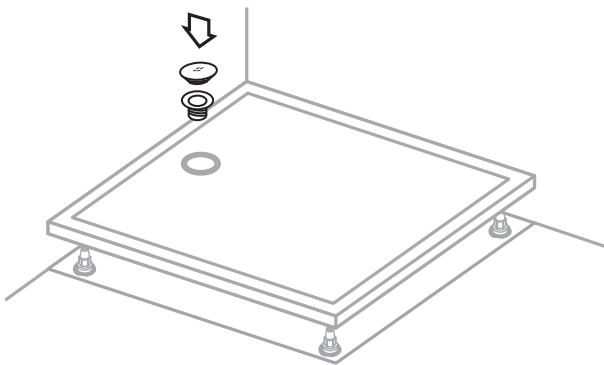
C



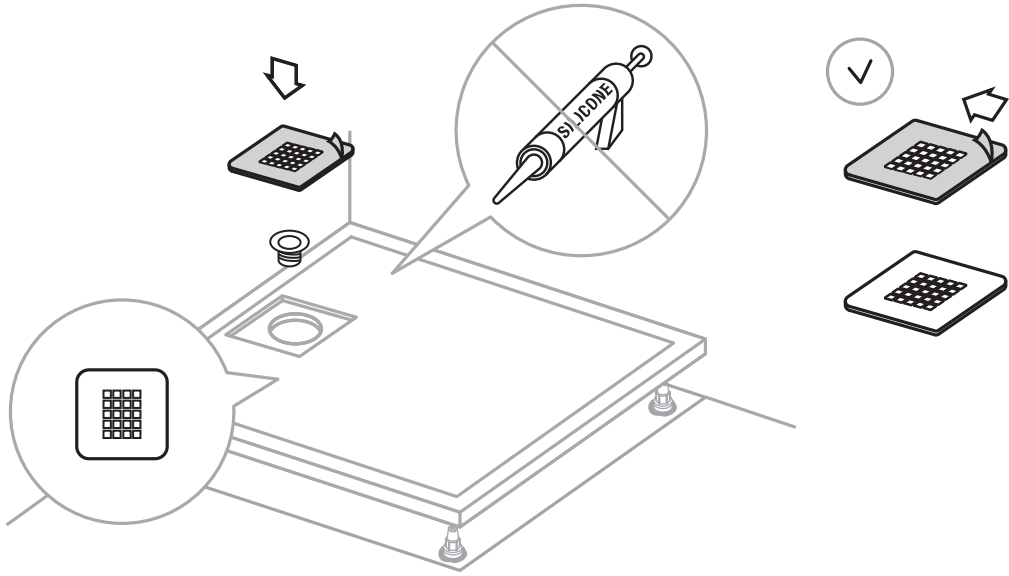
C



C



C



C

